

Rev.	Sym.	Q'TY	ICN/ECN NO	Changed by	Date
V1.0			the first release		

COMPANY CONFIDENTIAL

A

B

C

D

E

F

A

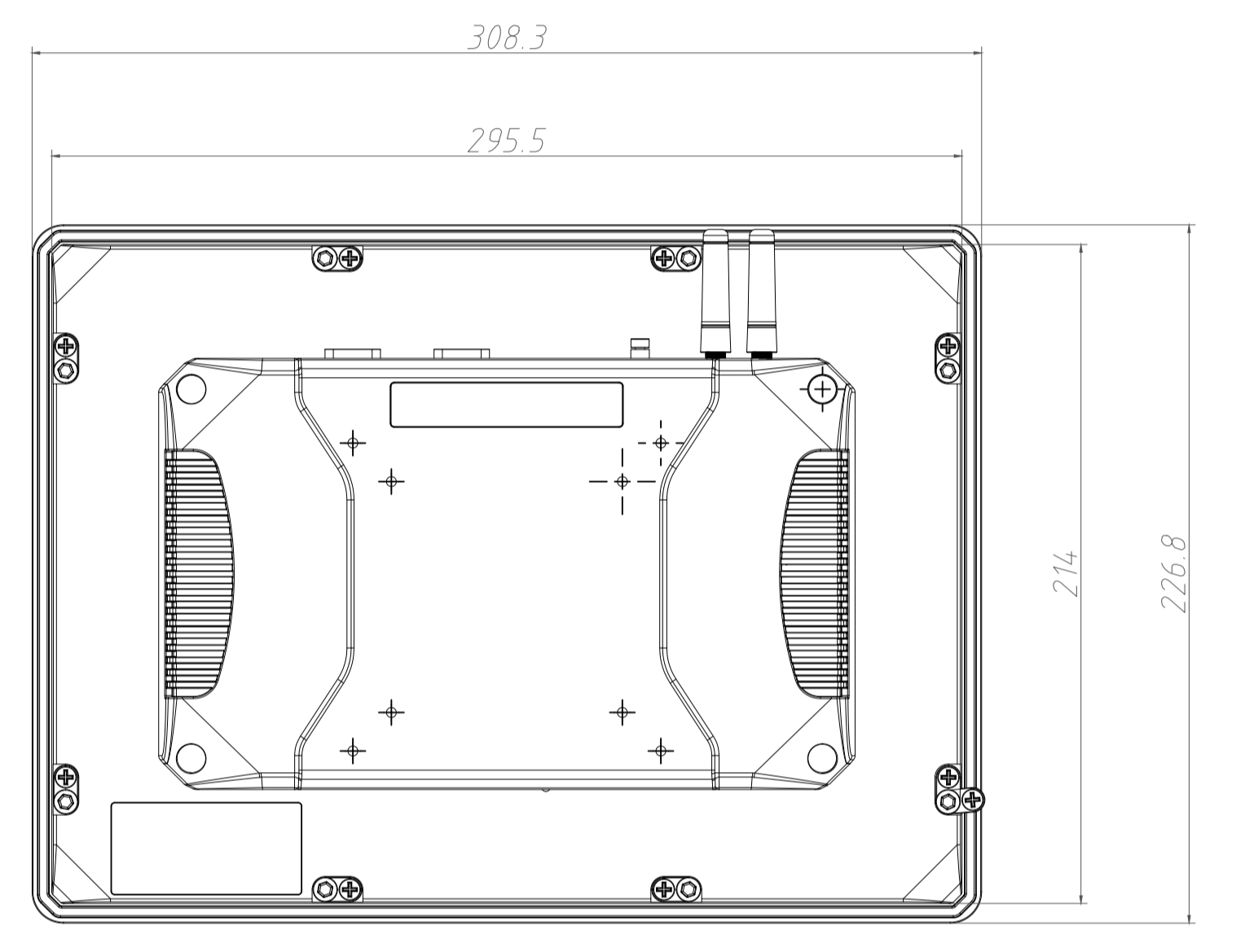
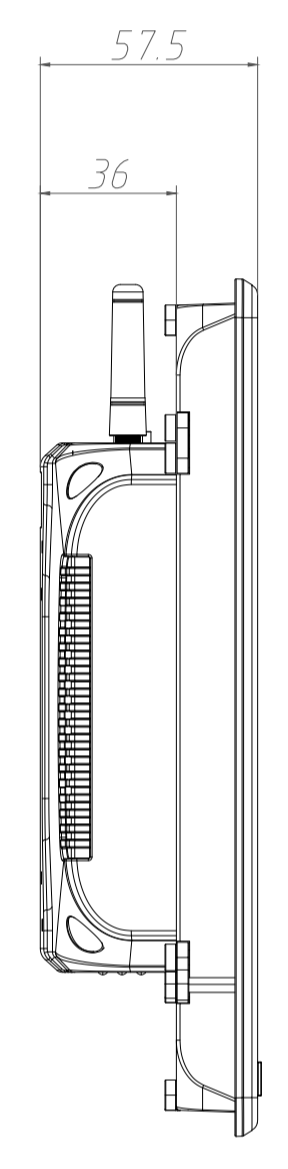
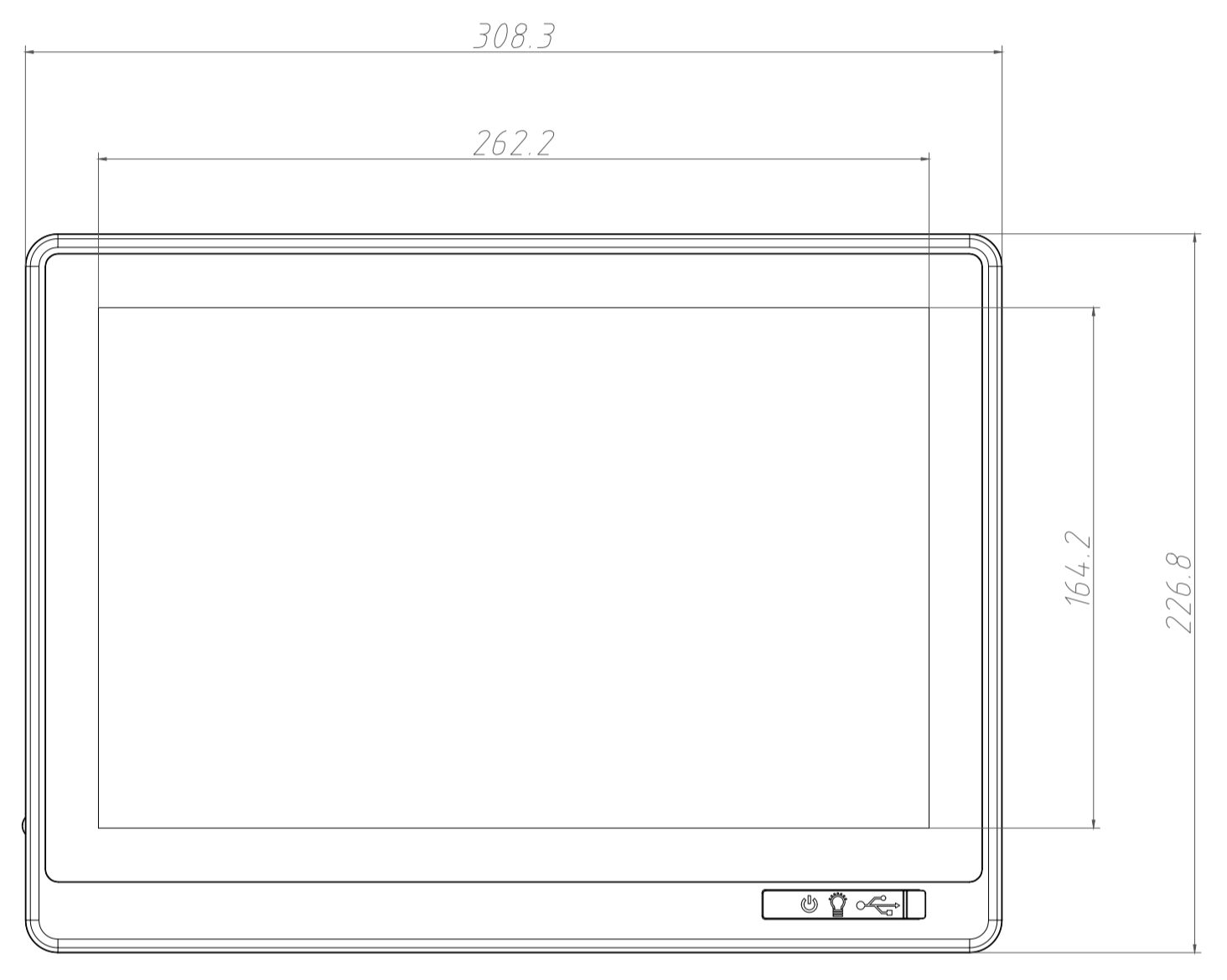
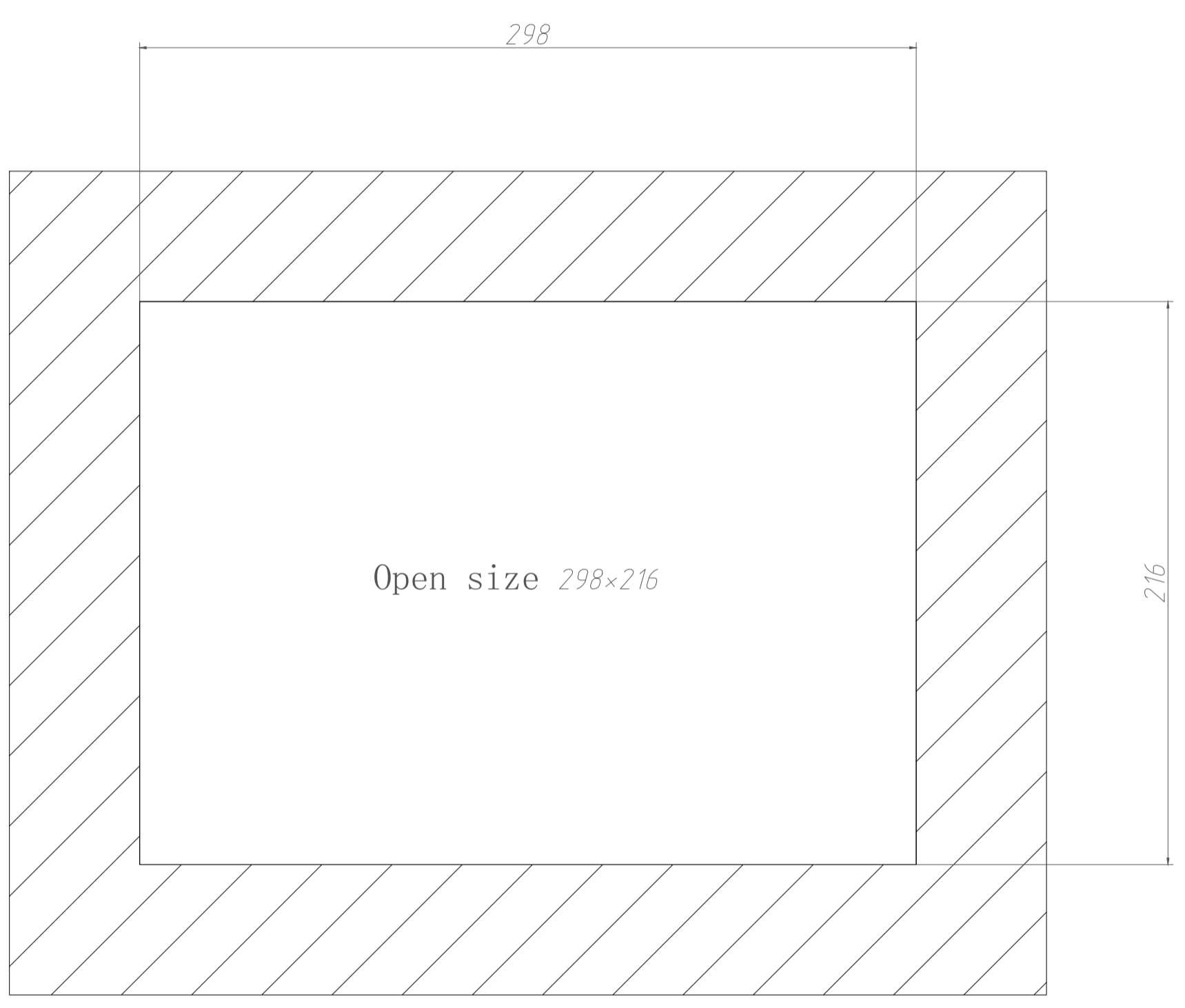
B

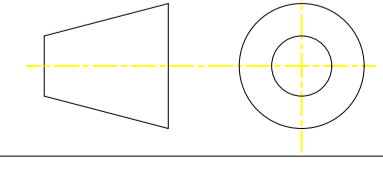
C

D

E

F



 <p>First angle system</p>	Design		Project Name :	Part Name	
	Check			Part No	
	Approve			Material	See Notes
				Process	See Notes
				Size: A0	Scale: 1:1
				Unit: mm	Sheet: 1 of 1